



LC1202 Series Data Sheet
High Voltage Power Supply
Capacitor Charging and DC
Output Voltage from 1kV - 30kV
Output Power 12kJ/sec or 15kW
Compact Water-cooled Design
Full local and remote control



TDK-Lambda

www.us.tdk-lambda.com/hp

LC1202 Series Specification

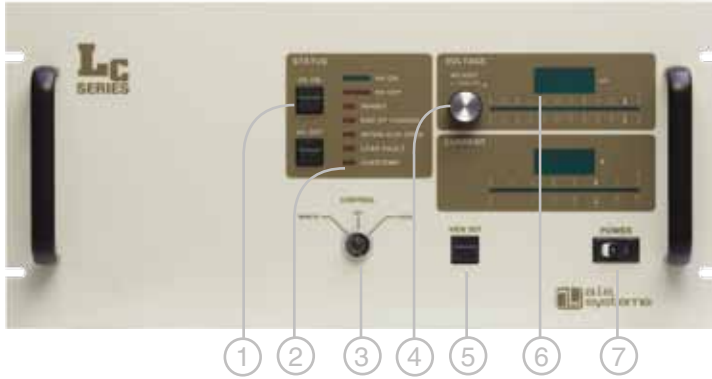
High performance, high rep rate water-cooled capacitor charging and DC power supplies available in 12kJ/sec for capacitor charging, or 15kW⁽¹⁾ in continuous DC applications.

- Power rating of 12kJ/sec, 13.5kJ/sec peak
- Output Voltages from 0-1kV to 0-30kV
- Compact water cooled rack mount package
- Option Remote Voltage Sense input
- Configurable 208 or 400VAC 3Ø input⁽²⁾
- Better than 0.1% pulse-pulse repeatability at rep rates to 2kHz
- Output Voltages from 0-1kV to 0-30kV
- Passive PFC (pf = 0.9)
- Full local output voltage and HV On/Off controls (L version)
- Lab, Slave, or OEM front panel options

Average Capacitor Charging Power	12,000 Joules/sec ($\frac{1}{2}CV^2 \times \text{Rep Rate}$)
Peak Capacitor Charging Power	13,500 Joules/sec ($\frac{1}{2}CV^2/t_{\text{charge}}$)
Average Continuous DC Power	15,000 Watts ⁽¹⁾
Output Voltage Range	1, 2, 4, 5, 10, 15, 20, 30kV, variable from 10-100% of rated
Polarity	Available as fixed Positive or Negative. Please specify at time of ordering
HV Output Cable	All Models - DS2214 Coaxial cable with proprietary HV connector
HV Insulating Medium	DOW 561 Silicone Transformer Fluid
AC Input Voltage	208VAC (180-264), 3Ø or 400VAC (340-460), 3Ø or 480VAC (432-528), 3Ø
AC Input Current	50A/26/20A
AC Connector	UL/CSA approved terminal block. 3Ø + $\frac{1}{2}$
AC Line Contactor	UL/CSA approved AC line contactor (standard on LC1202L and S, option for OEM)
Power Factor	Passive PFC pf = 0.9 at full load and nominal AC line
Efficiency	Better than 90% at full load
Front Panel	LC1202L - Voltage Control, Voltage & Current Meters, Status Indicators LC1202S - On/Off Switch, Status Indicators LC1202-OEM - Blank front panel
Stability	0.2% per hour after 1 hour warmup
Temperature Coefficient	100ppm per °C typical
Stored Energy	Less than 0.3J all models
Pulse to Pulse Repeatability	±0.1% to 300Hz std, ±0.1% to 1000Hz optional, consult factory for higher rep rates
Dimensions - inches (mm)	19 (483) W x 8.72 (222) H x 17 (432) D
Weight - lbs (kg)	100 (46)
Ambient Temperature	Storage: -40 to +85°C. Operating: +5 to +45°C
Altitude	Storage: 40,000ft (12,000m), Operating: 9,900ft (3,000m)
Humidity	10-90%, non-condensing
Cooling	Flowed water at 2US GPM (7.6L/min) max. inlet temperature 35°C. All water paths are at ground potential and are copper, brass or Buna-N hose.
Protection	Open/short circuits, Overloads, Arcs, Overtemp, Overvoltage, Safety Interlock
Remote Control (all models)	Via 25-pin D-sub connector on rear of unit, Signals include, Vprogram (0-10V), HV Enable/Reset, Inhibit, Summary Fault, Load Fault, Vanalog, Vpeak
Accessories	10ft HV cable, operating manual
Options	EN - Low Enable. Replaces standard high enable 5V - 0-5V Analog programming. Replaces standard 0-10V programming. LP - Latching Overload Protection, requires HV reset after overload fault DC - Continuous DC operation CT - AC line contactor (option for LC1202OEM models only, standard for L and S) RS - Remote load voltage sense replaces local sense Double terminated HV cable, and mating bulkhead connector
Ordering Info	Model - XXkV - POS (or NEG) - YYYYVAC - ZZ (options)
Ordering Examples	LC1202L-10kV-POS, LC1202S-1kV-NEG-DC, LC1202-OEM-30kV-POS-400VAC
(1) Continuous DC output power de-rated to 12,000W average with 208VAC 3Ø line voltage (2) Requires conversion kit supplied with unit All specifications subject to change without notice	

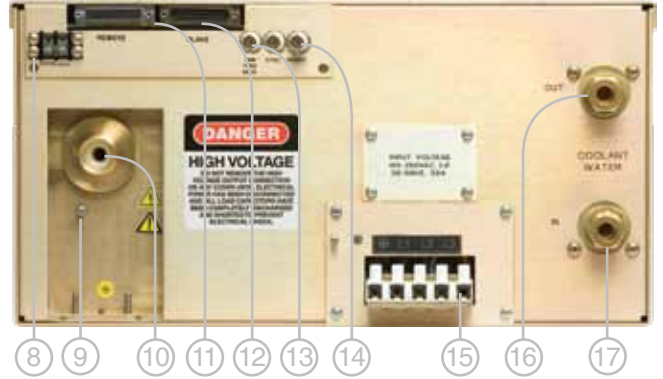
LC1202 Series Mechanical Details

LC1202L Front View



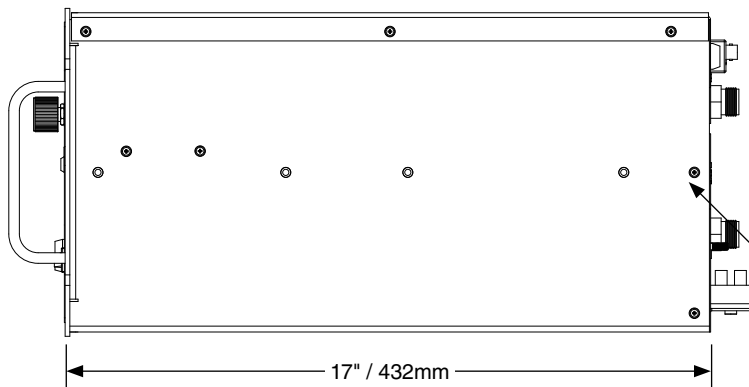
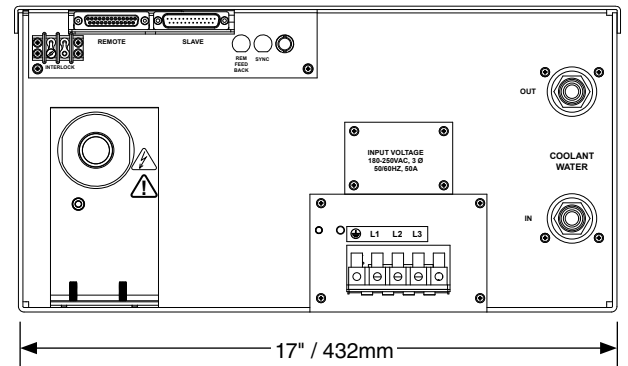
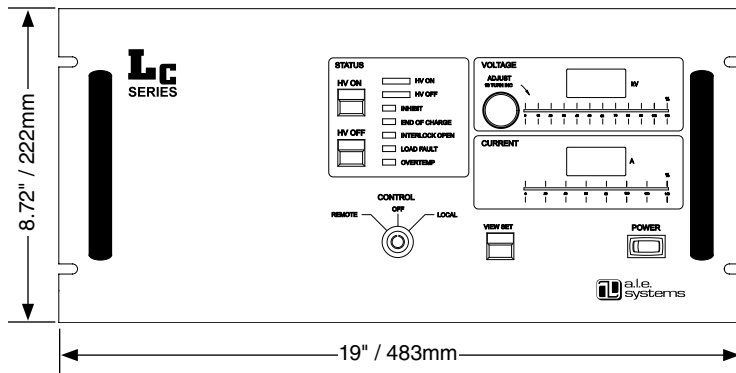
- 1 - HV On/Off Push Buttons (L model only)
- 2 - Status Indicator LEDs (L and S models only)
- 3 - Local/Remote Keyswitch (L model only)
- 4 - 10-Turn HV Output Control (L models only)
- 5 - View Set Push Button (L models only)
- 6 - Output Voltage and Current Displays (L models only)
- 7 - Power Switch (L and S models only)

LC1202L Rear View



- 8 - Interlock Terminals (L and S models only)
- 9 - Ground Stud
- 10 - HV Output Connector
- 11 - Remote Programming Connector
- 12 - Slave Supply Programming Connector (L models only)
- 13 - Remote Sense Input (optional)
- 14 - Inhibit BNC (L models only)
- 15 - AC Input Terminal Block
- 16 - Cooling water outlet (Swagelok 12mm)
- 17 - Cooling water inlet (Swagelok 12mm)

Outline Drawings



Notes:

- 1 - Chassis slide mounting pattern matches General Devices CT series or equivalent with 3.875" hole spacing.
- 2 - Cooling air exits rear of unit and enters at either side. Do not block air vents or cooling fan and allow several inches of clearance at rear of unit.
- 3 - Allow 6" bend radius at rear of unit for HV cable.

GLOBAL HIGH VOLTAGE NETWORK

NORTH AMERICA

TDK-Lambda Americas Inc.
405 Essex Rd. Neptune, NJ 07753
Tel: +1-732-922-9300 Fax: +1-732-922-1441
E-mail: sales@us.tdk-lambda.com
www.us.tdk-lambda.com/hp

CANADA

TMetrix
5805 Kennedy Road Mississauga,
Ontario L4Z 2G3
Tel: +1-905-890-2010, Fax: +1-905-890-1959
E-mail: lambda@aca.ca
tmetrix.com

UK

Pulse Power & Measurement Ltd.
65 Shrivenham Hundred Business Park
Watchfield, Swindon
Wiltshire, SN6 8TY
Tel: +44-1793-784389 Fax: +44-1793-784391
Email: sales@ppm.co.uk
www.pmpower.co.uk

IRELAND

FRANCE

TDK-Lambda France
ZAC des Delaches BP 1077 - Gometz le Chatel
91940 LES ULIS
Tel: +33 1 60 12 71 65 Fax: +33 1 60 12 71 66
www.fr.tdk-lambda.com

GERMANY

Guth GmbH
Spitzenbergstrasse 6
D – 73084 Salach
Tel: +49-7162-948930 Fax: +49-7162-9489399
Email: kontakt@guth-hv.de
www.guth-hv.de

AUSTRIA

SWITZERLAND

ITALY

TDK-Lambda Italy
Via dei Lavoratori 128/130
IT 20092 Cinisello Balsamo (MI)
Tel: +39-02-6129-3863 Fax: +39-02-6129-0900
www.it.tdk-lambda.com

BENELUX

AIR Parts BV
P.O. Box 255, 2400 AG Alphen aan den Rijn
Netherlands
Tel: +31-172-422455 Fax: +31-172-421022
Email: info@air-parts.com, Web: www.air-parts.com

SCANDINAVIA

BALTICS

Rallarvägen 41, SE-184 40 Åkersberga, Sweden
Tel: +46 (0)8 540 248 09 Fax: +46 (0)8 501 096 53
E-mail: iain@divisoft.se, Web: www.divisoft.se

ISRAEL

RUSSIA

UKRAINE

Nemic Lambda Ltd.
Kibbutz Givat Hashlosha Tel-Aviv 48800
Tel: +972-3-9024-333 Fax: +972-3-9024-777
E-mail: info@nemic.co.il
www.nemic.co.il

BRAZIL

Suplitech
Rua Sena Madureira 455, Belo Hte - 31340-000
Tel: +55-31-3498 1177 Fax: +55-31-3441 0841
www.suplitech.com.br

MEXICO

GADU
Rosas 139 Col. Bugambilias. Puebla, Pue. C.P. 72580
Tel: +52-800-211-0060 Fax: +52-264-1445
Email: julian@gadu.co.mx
www.gadu.com.mx

JAPAN

PACIFIC RIM

Electronics Optics Research, Ltd
4-26-19 Koenji-Minami
Suginami-ku, Tokyo 166-0003
Tel: +81-333-145699 Fax: +81-333-142333
Email: imamura@eor.jp
www.eor.jp

SOUTH AFRICA

Scientific Development & Integration
Pretoria, South Africa
Tel: +27-12-3492123 Fax: +27-12-3492128
Email: francois.prinsloo@sdi.co.za
www.sdi.co.za



TDK-Lambda Americas Inc. 405 Essex Road, Neptune, NJ 07753 USA
Tel: +1 732 922 9300 Fax: +1 732 922 1441
www.us.tdk-lambda.com/hp

93 008 012 Rev B